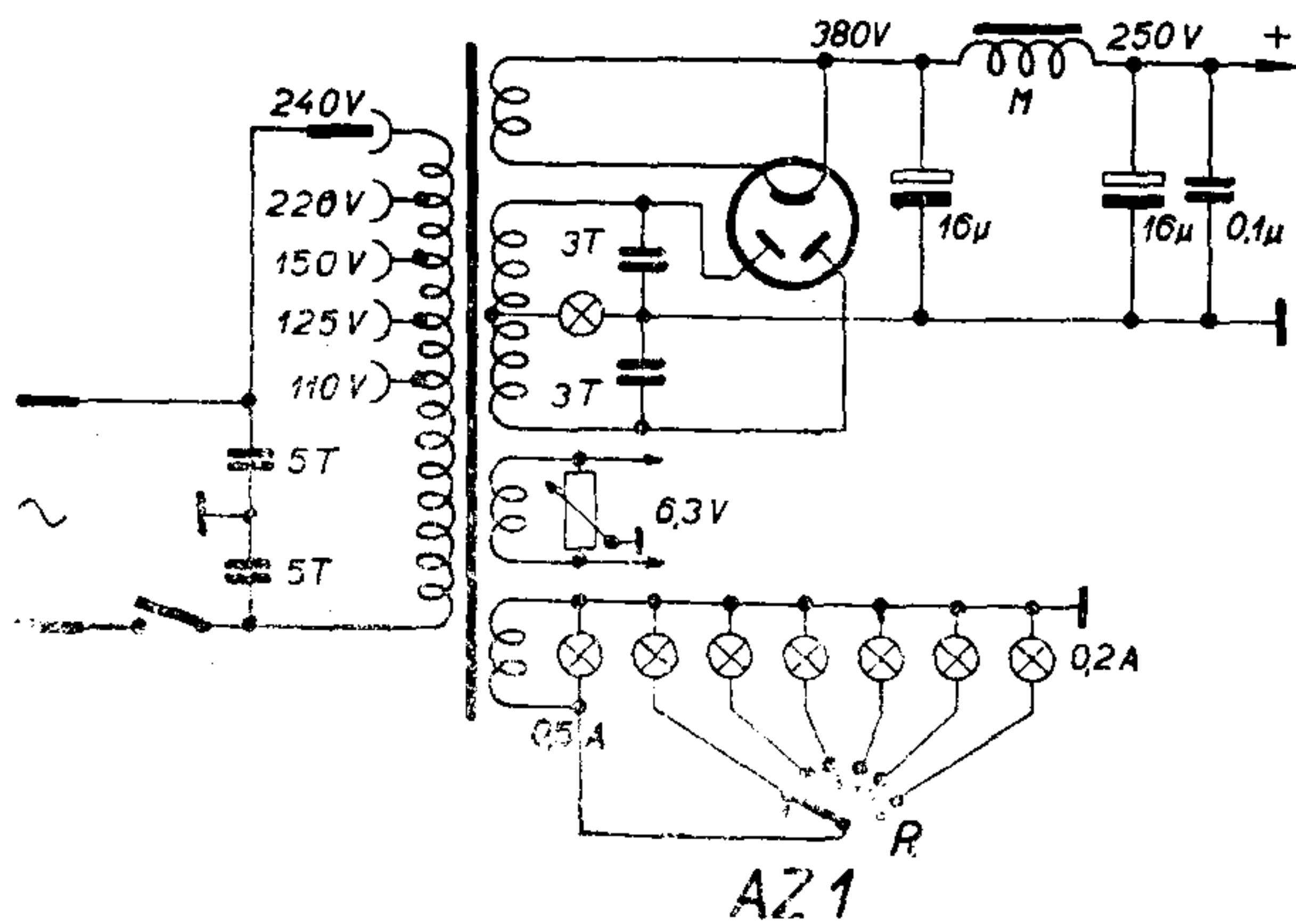
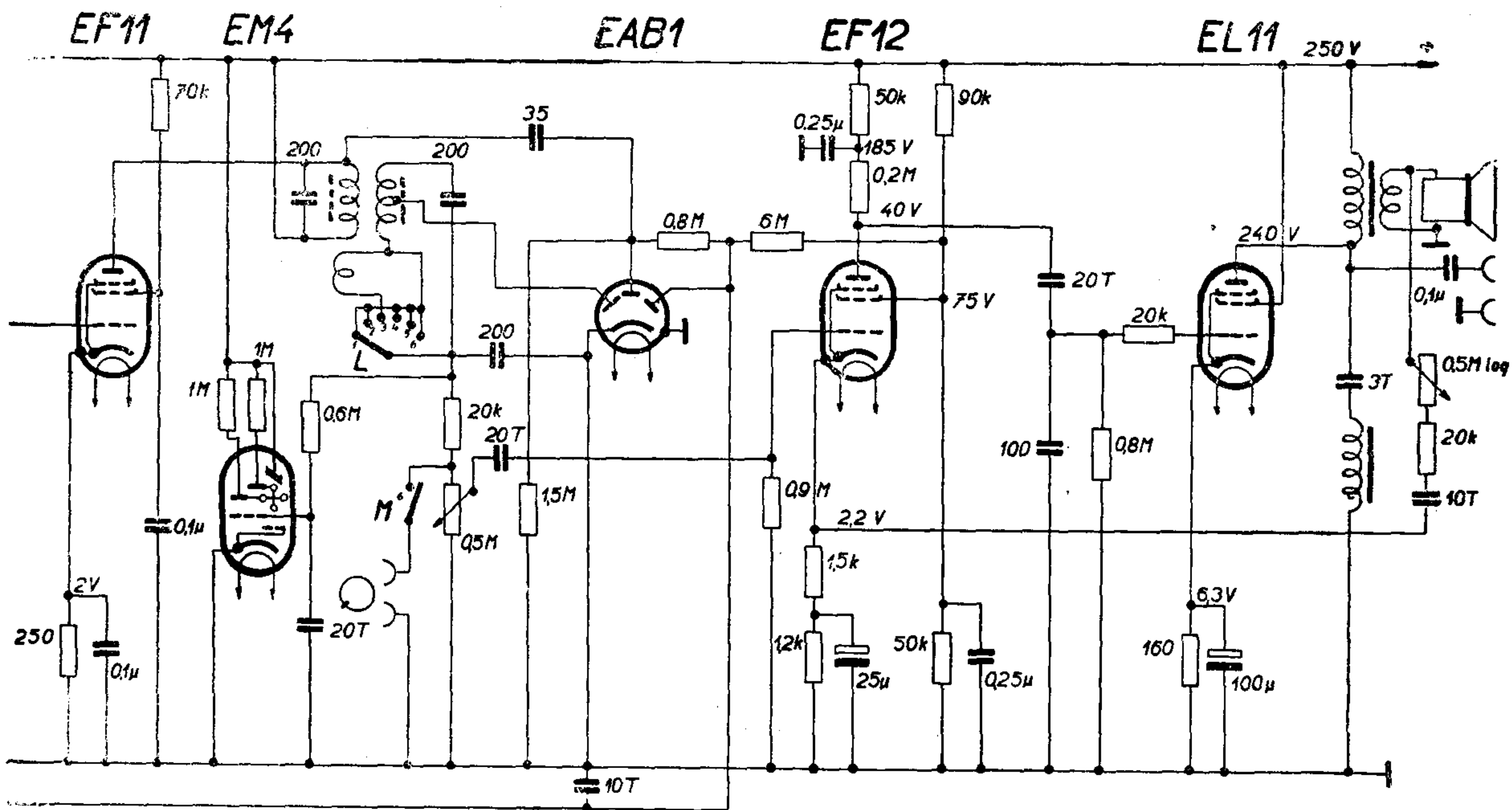


EMPO AMBASSADOR



A ÷ R	
1	15 - 50 m
2	200 - 600 Λ
3	200 - 600 m
4	
5	700 - 2000 m
6	

$R_{VOL TM} = 500 \Omega / V$
(ROUČKA DUO)

EMPO AMBASSADOR (394)

1939/40 MF=484 kHz