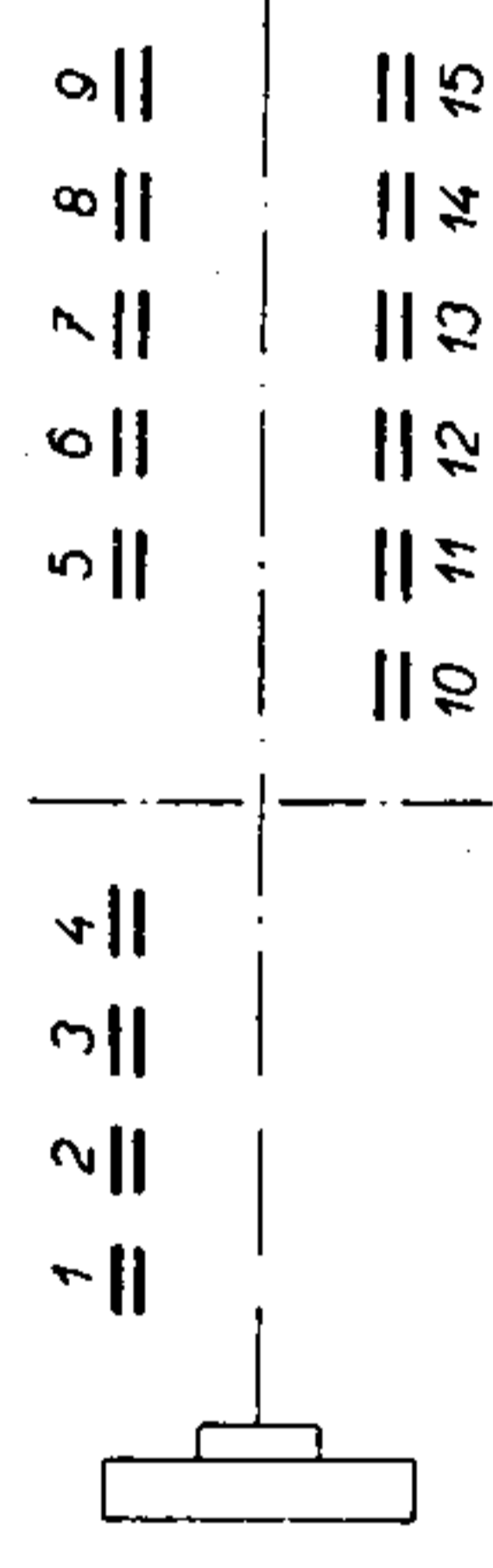
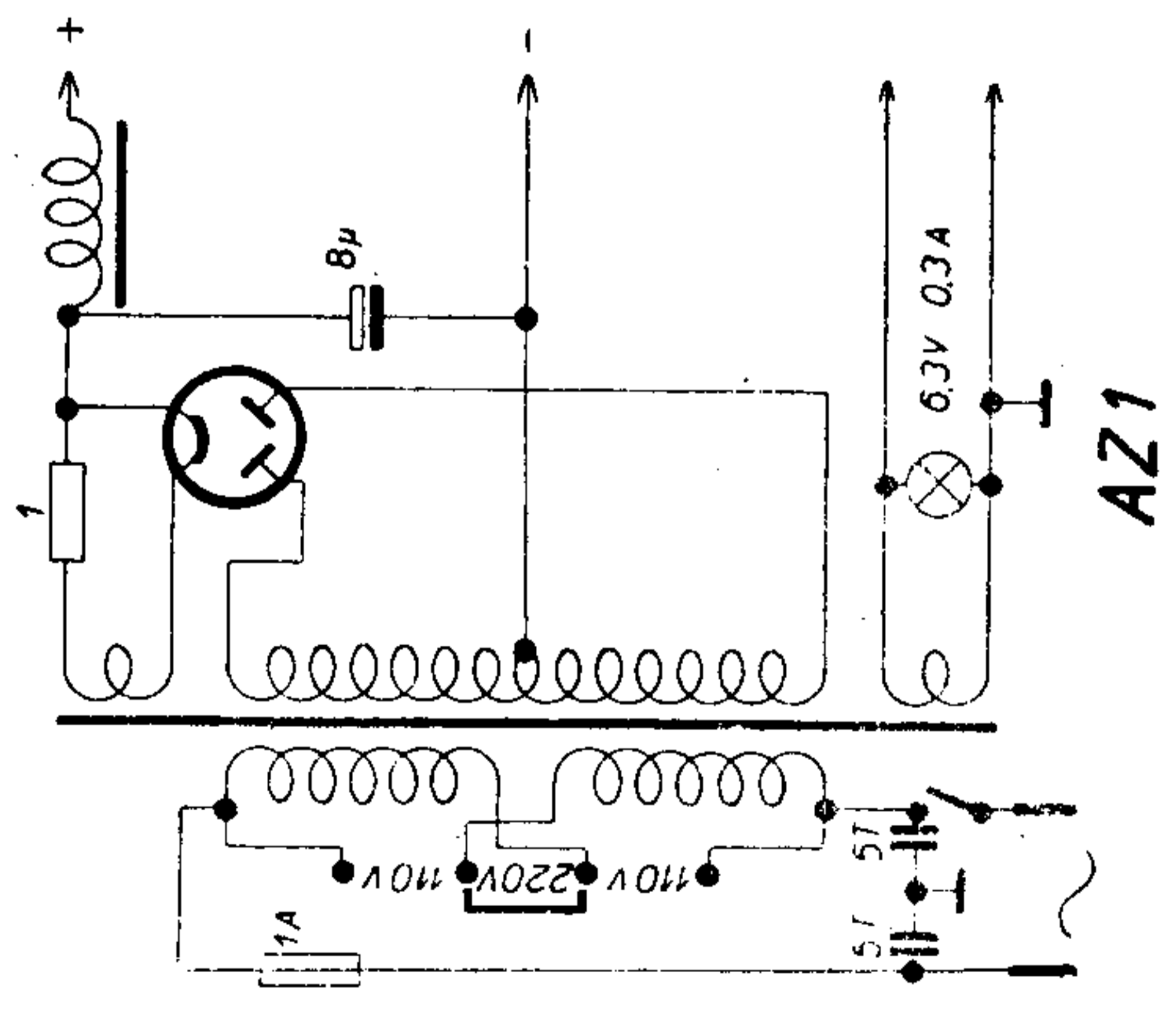
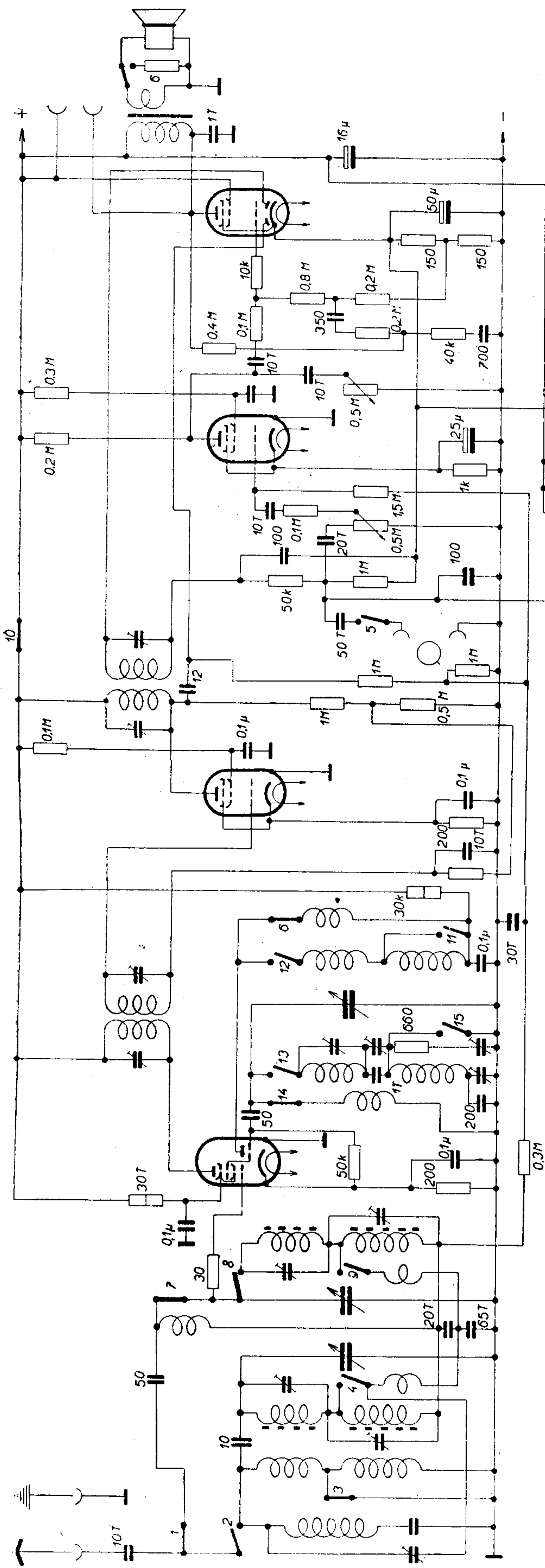


EBL1

EF9

EF9

ECH3



	1	2	3	4	5	6	7	8	9	10	11	12	13	14	15
15-50m	•					•									
200-600m			•												
750-2000m															

EM4

IRON DELTA

1940/41 MF=124 kHz