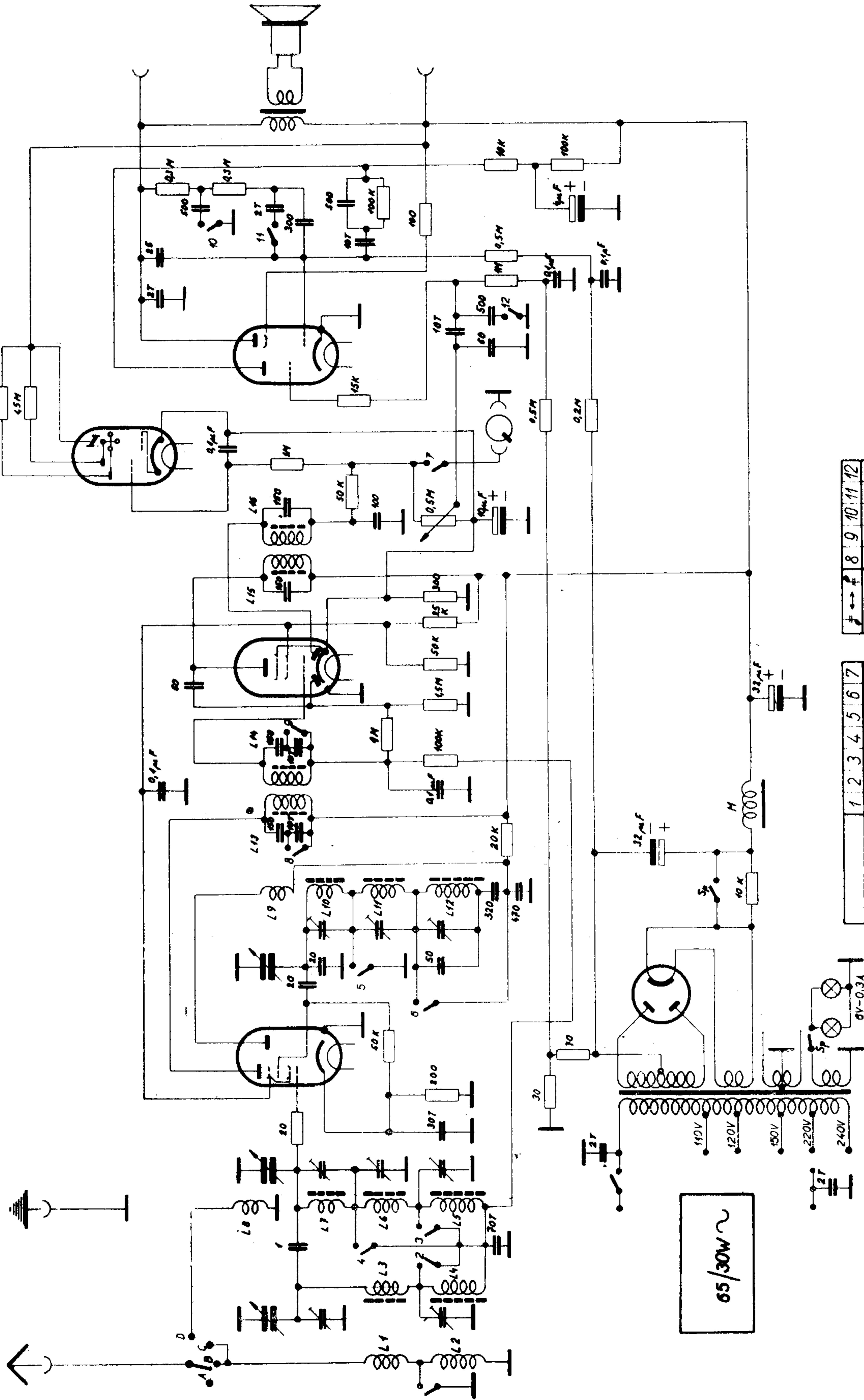


ECH3

EBF2

EM4 ECL11



|     |   |   |    |    |    |
|-----|---|---|----|----|----|
| ↔   | 8 | 9 | 10 | 11 | 12 |
| I   | • | • | •  | •  | •  |
| II  | • | • | •  | •  | •  |
| III | • | • | •  | •  | •  |
| IV  | • | • | •  | •  | •  |

|              |   |   |   |   |   |   |   |
|--------------|---|---|---|---|---|---|---|
| ⊙            | 1 | 2 | 3 | 4 | 5 | 6 | 7 |
| A            |   |   |   |   |   |   | • |
| 18 ÷ 55 m    |   |   |   |   |   |   | • |
| 200 ÷ 600 m  |   |   |   |   |   |   | • |
| 250 ÷ 1900 m |   |   |   |   |   |   | • |

**MIKROFONA MK 379**  
 1939/40 MF=485 kHz

AZ 1