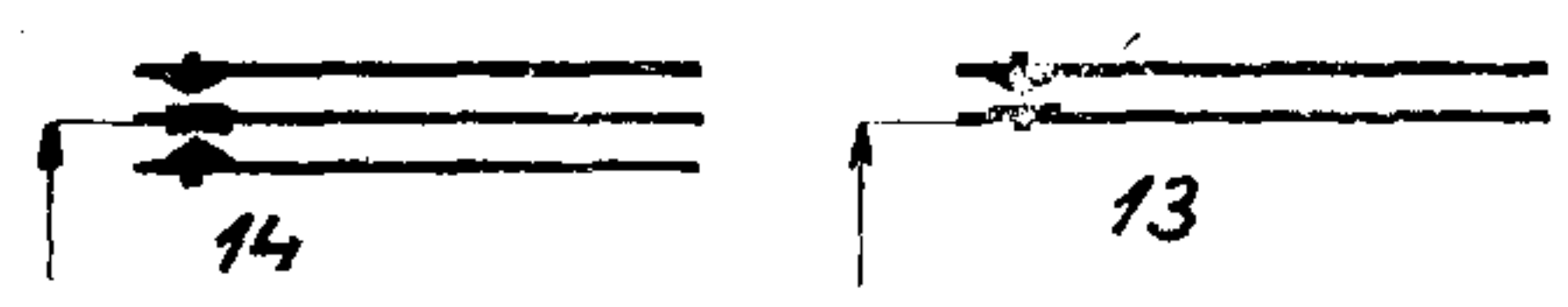
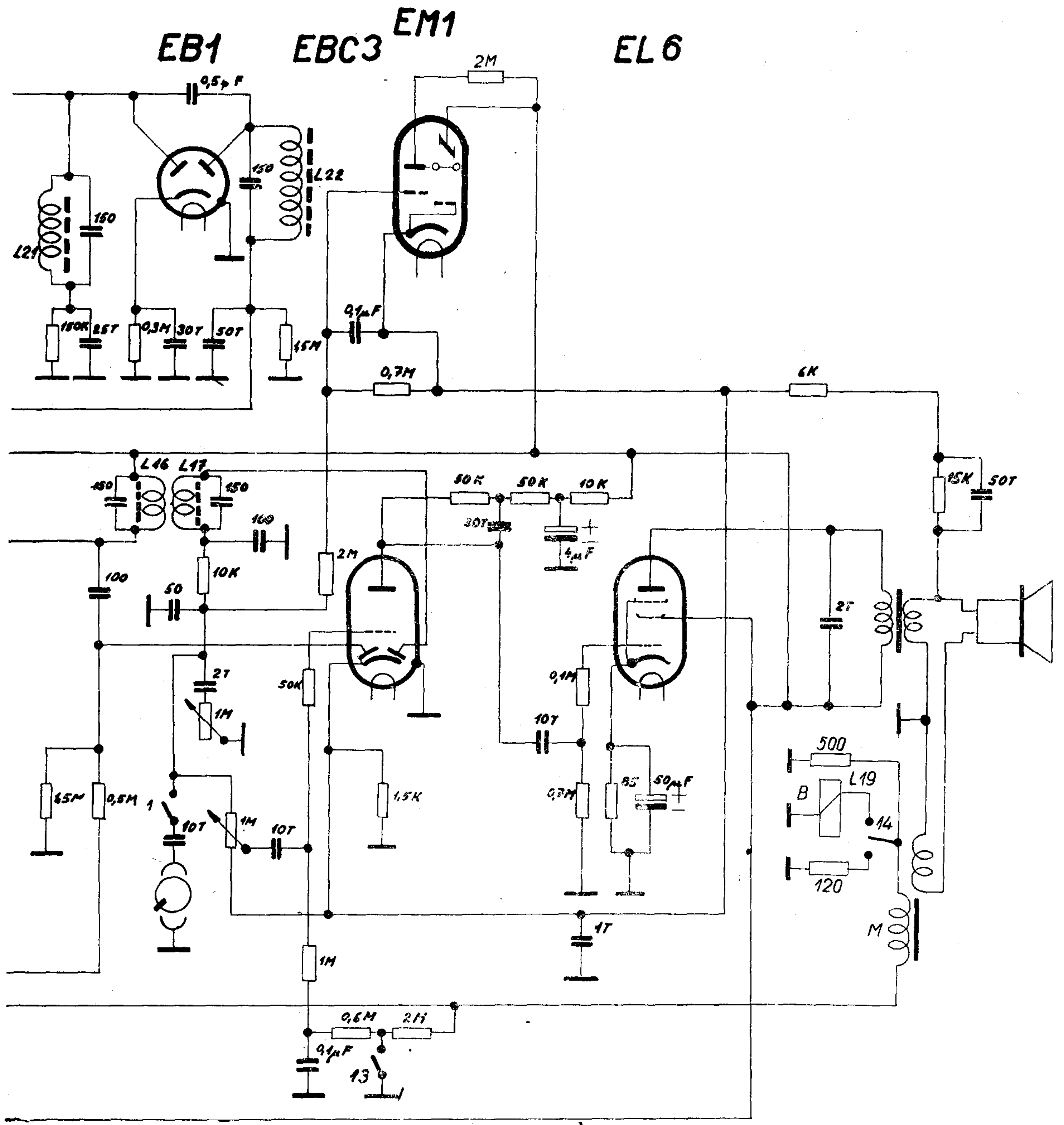


	1	2	3	4	5	6	7	8	9	10
○	●									
18 ÷ 50 m	●			●	●	●				●
200 ÷ 600 m	●	●					●	●	●	
750 ÷ 1900 m		●								

AZ4



	11	12	13
MAN.	●	●	●
AUT.			↔

**MIKROFONA PERUN MK 600**  
 1938/39 MF = 485 kHz