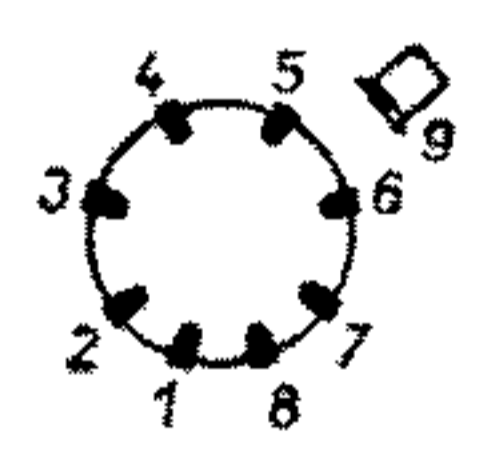
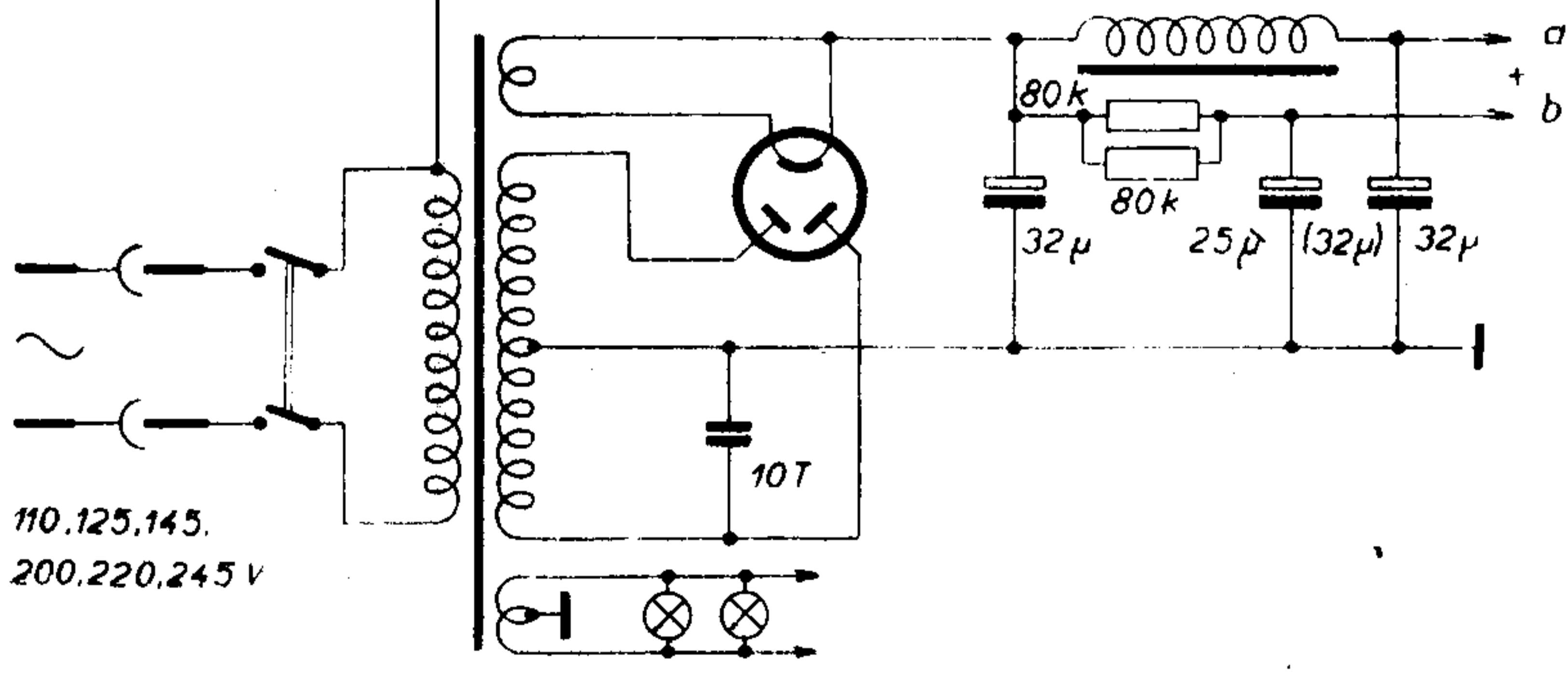
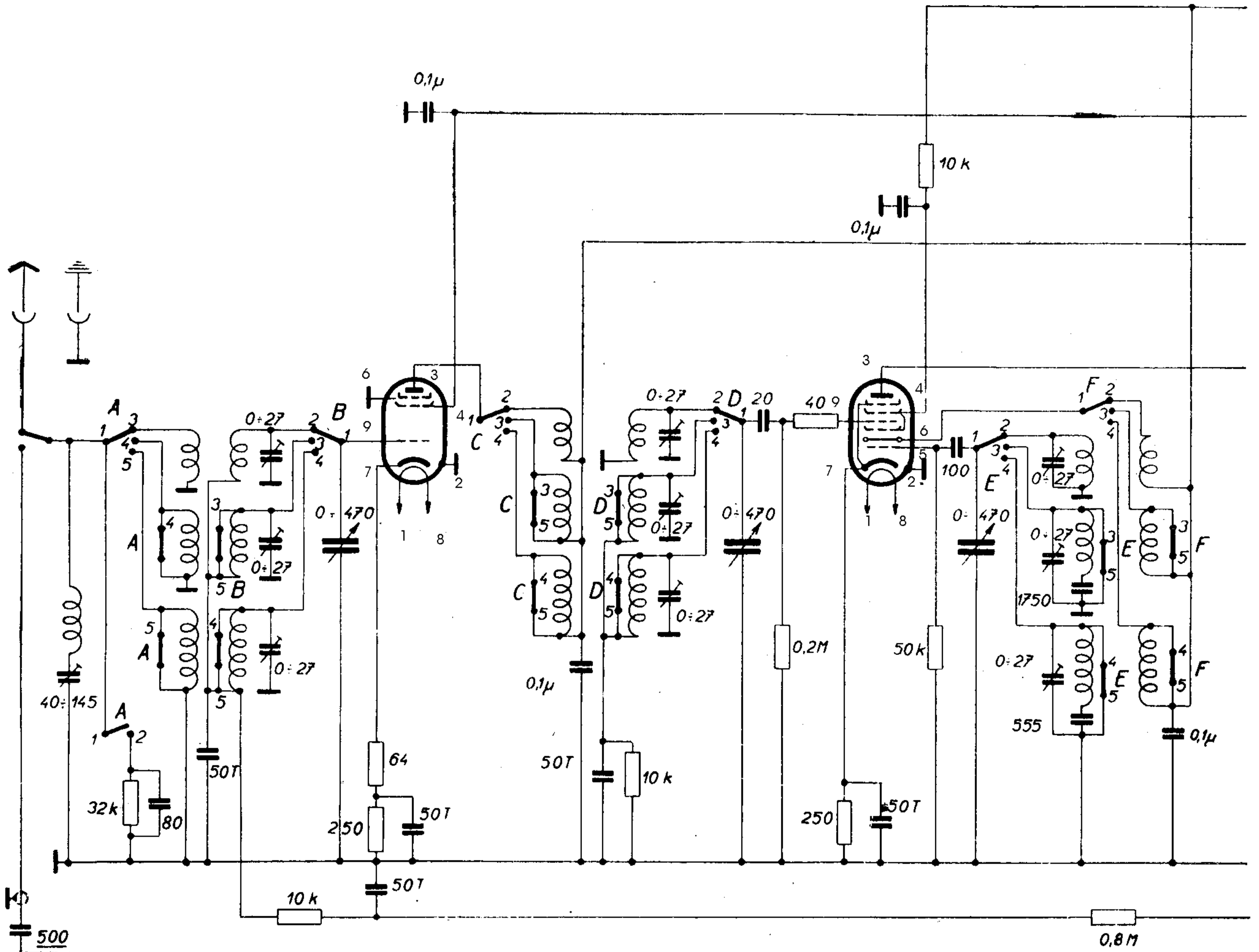


AF3

AK2



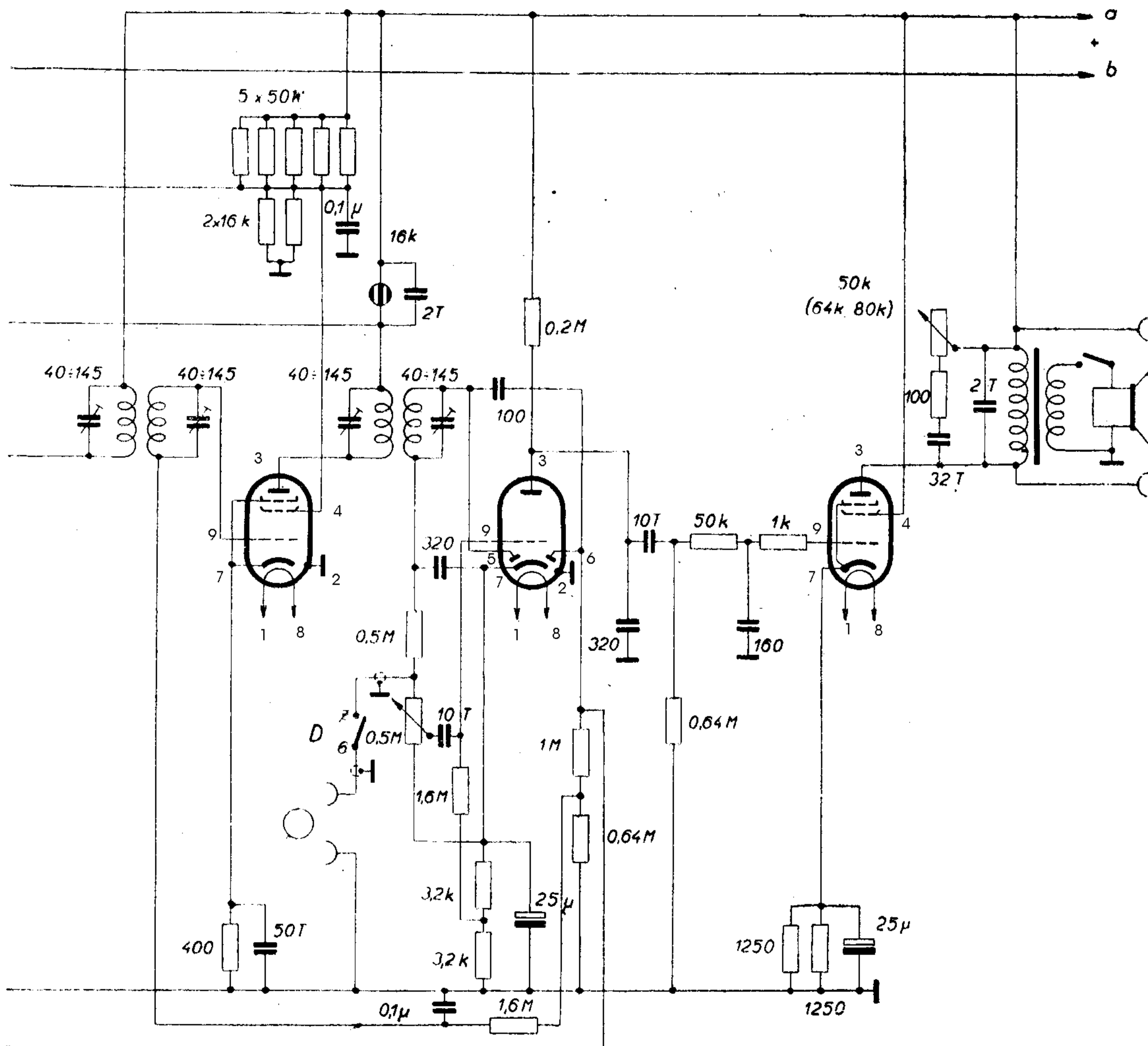
AZ1

PHILIPS 535 A

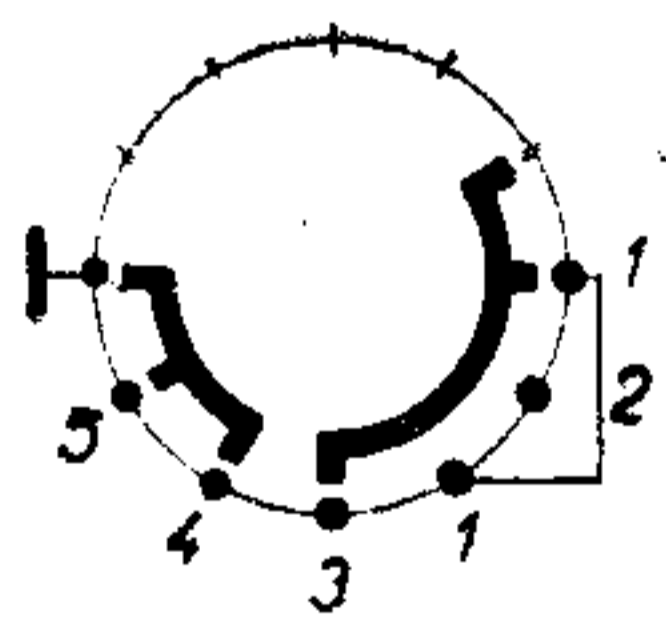
AF3

ABC1

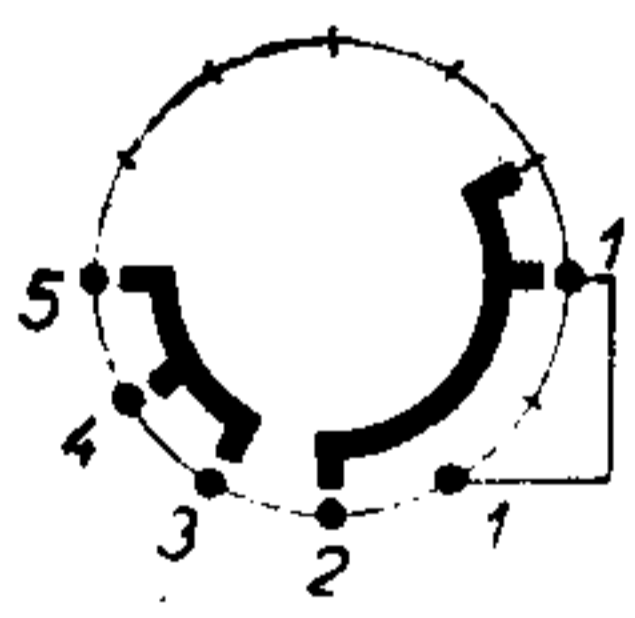
AL2



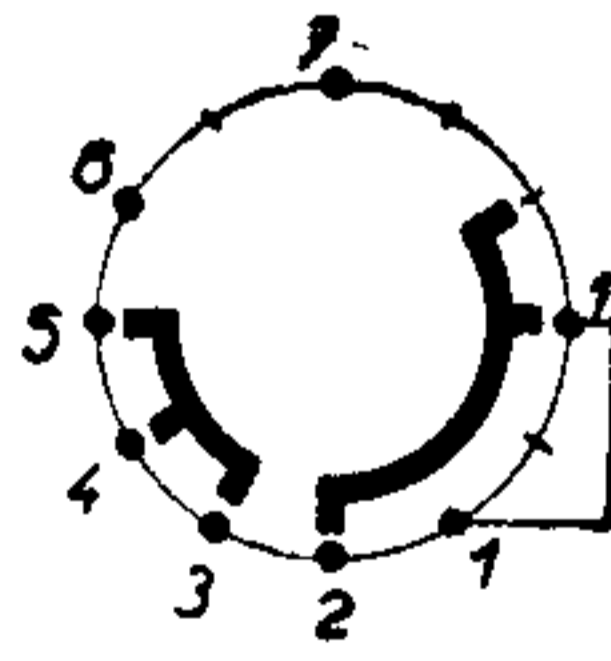
I	16 - 50 m
II	200 - 570 m
III	750 - 2000 m
IV	⊙



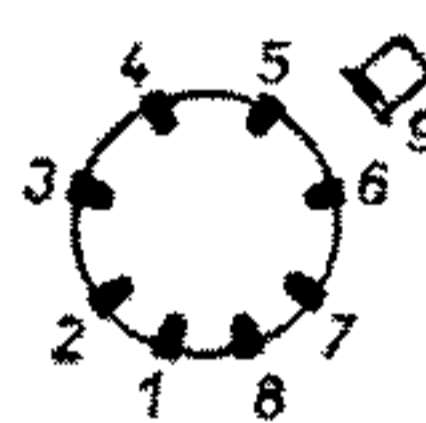
A



B,C,E,F



D



PHILIPS SIRIUS 535 A

1935/36

MF = 115 kHz