

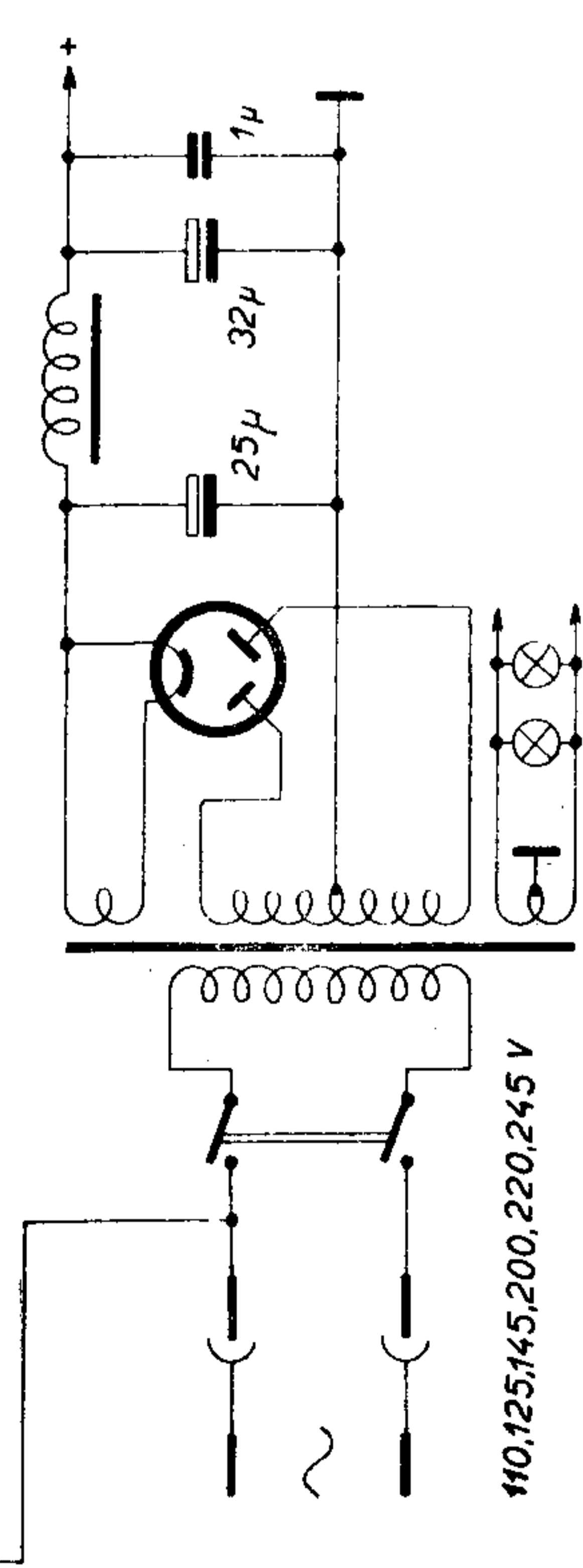
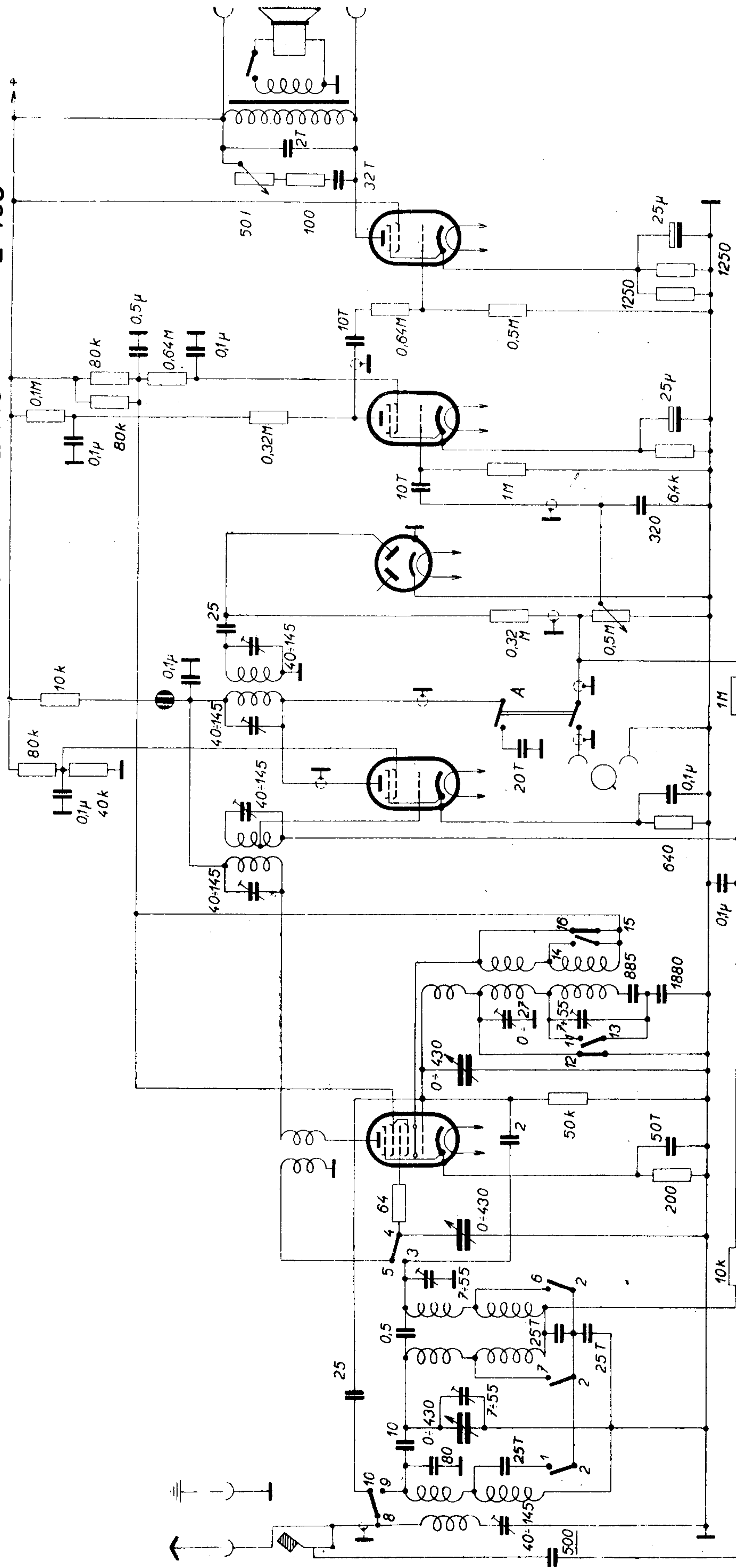
AK1

AF2

AB1

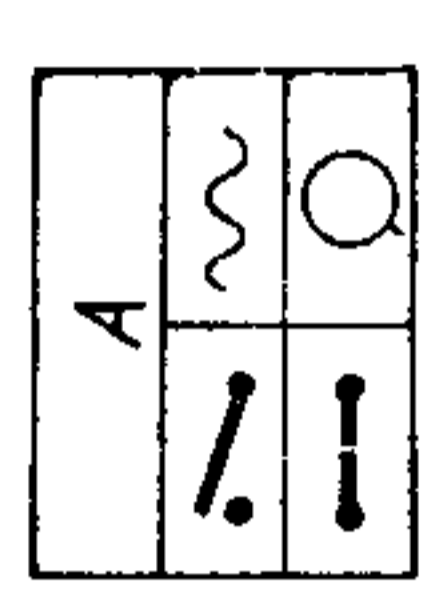
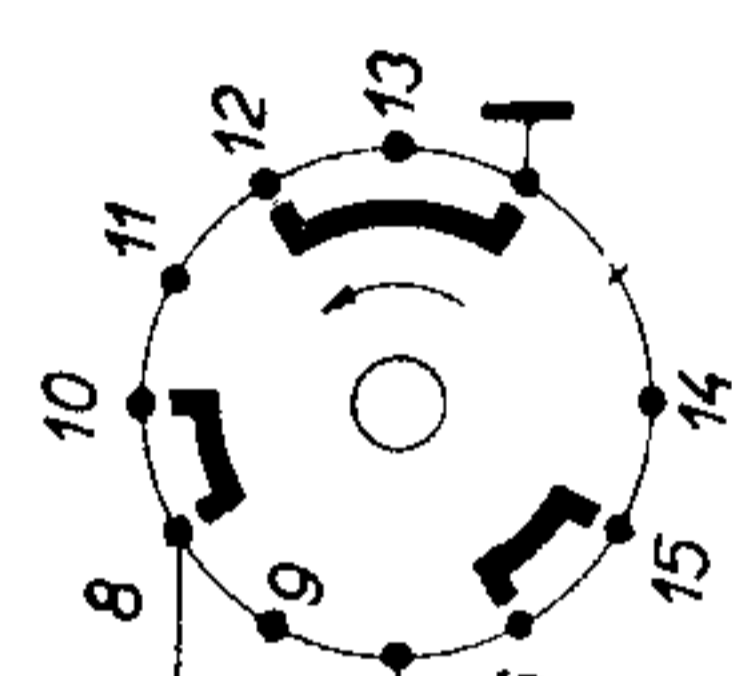
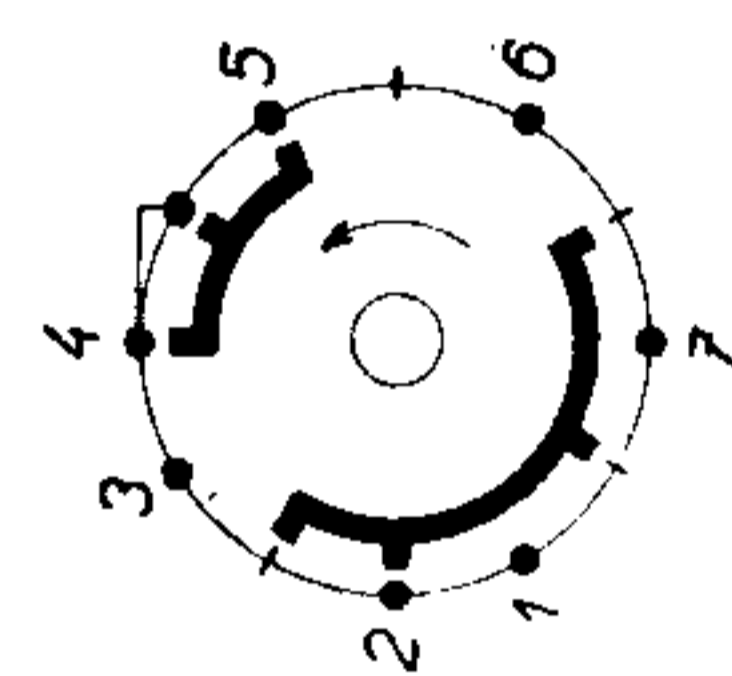
E446

E463



110,125,145,200,220,245 V

506



I	16 - 52 m
II	200 - 550 m
III	760 - 1900 m

PHILIPS 546 A

1935/36

MF=115 kHz