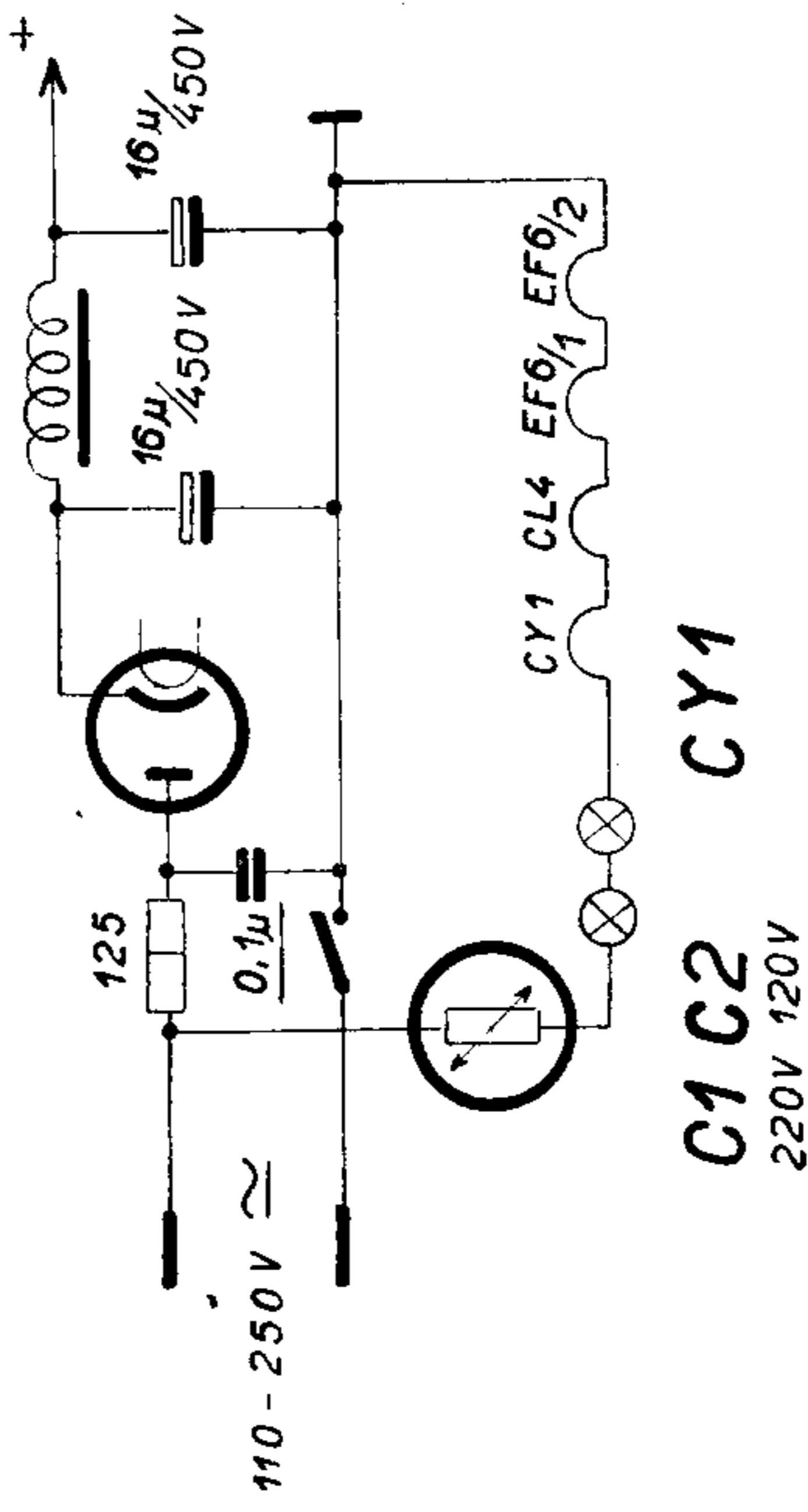


	1	2	3	4	5	6	7	8	9	10	11
200-600m			●	●	●	●	●	●	●	●	●
200-600m			●	●	●	●	●	●	●	●	●
750-1800m			●								
16-50m			●								
											○



SIGMA FENOMEN U

1938/39

C1 C2 220V 120V
CY1 CL4 EF6/1 EF6/2