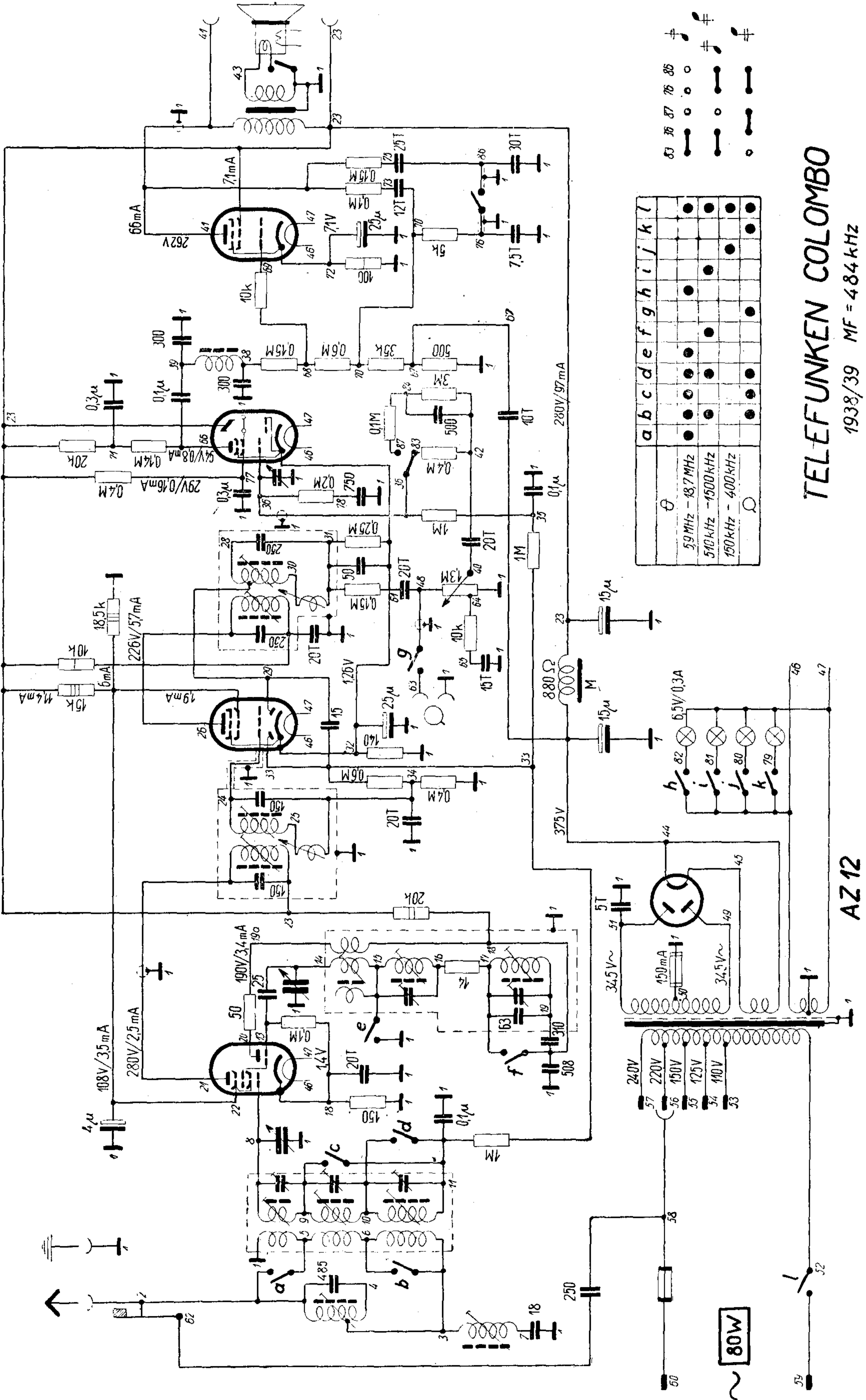


ECH 11

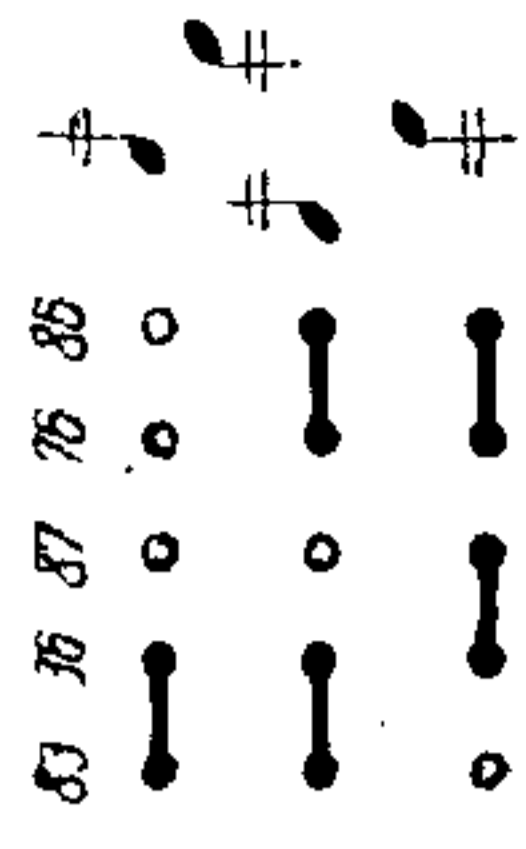
EBF 11

EFM 11

EL 12



	a	b	c	d	e	f	g	h	i	j	k	l
⊖												
5.9 MHz - 18.7 MHz												
510 kHz - 1500 kHz												
150 kHz - 400 kHz												



TELEFUNKEN COLOMBO
1938/39 MF = 484 kHz

AZ 12

80W