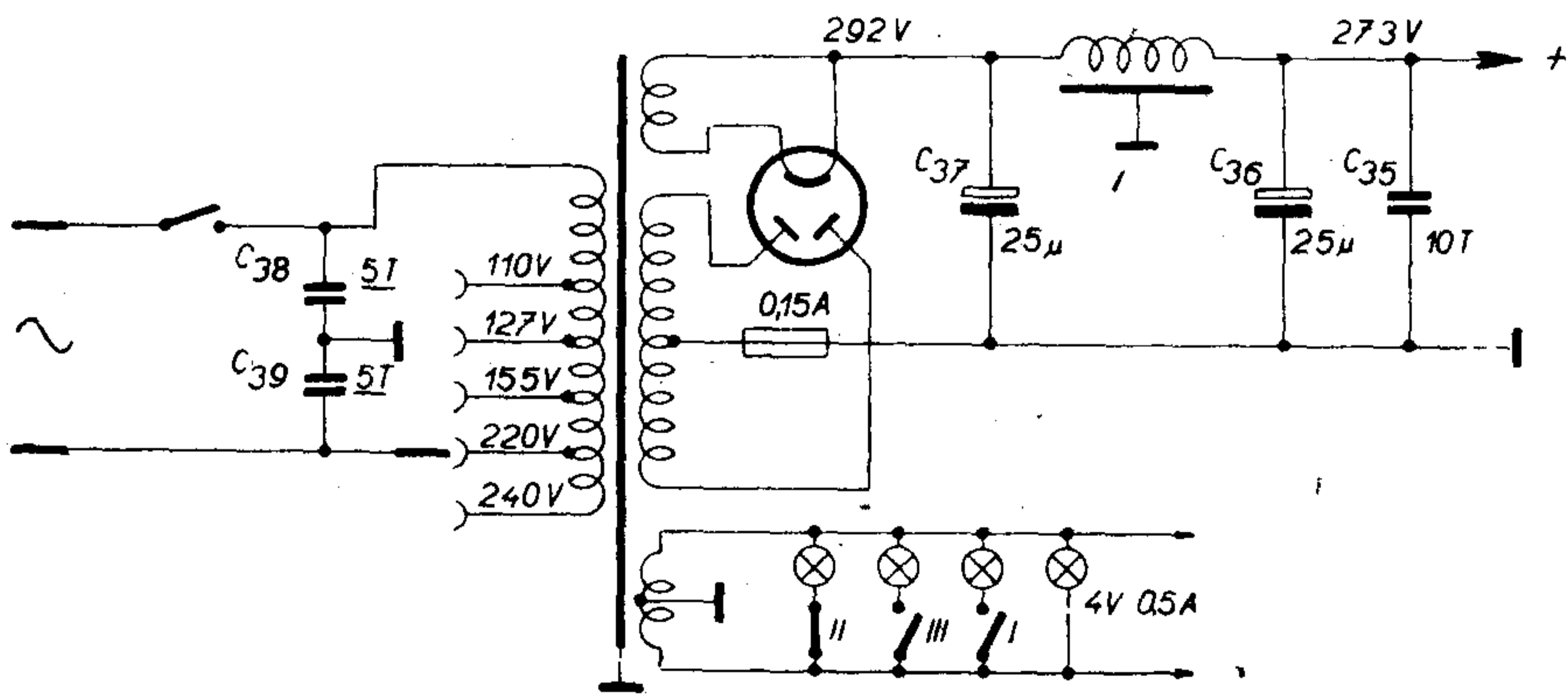
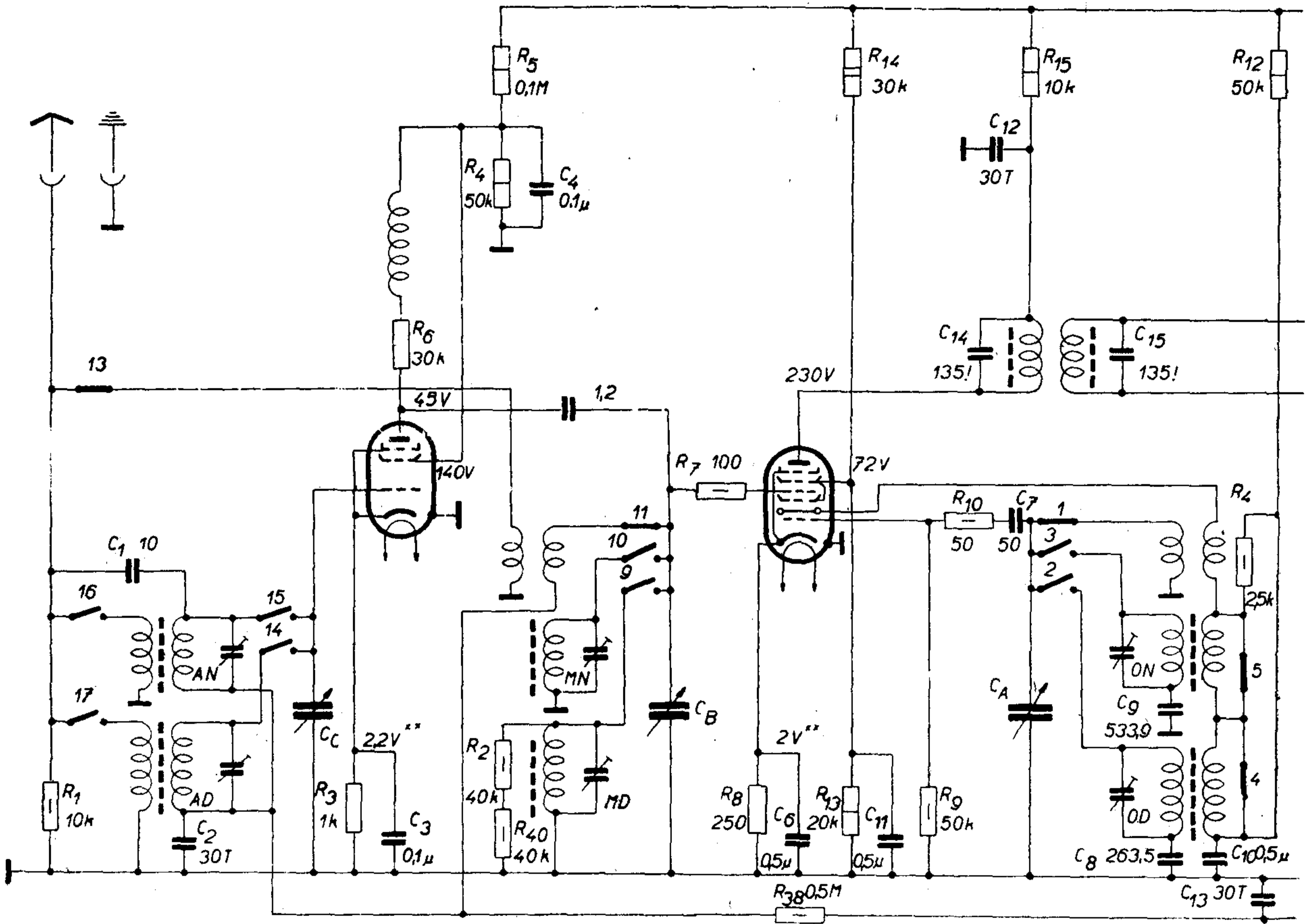
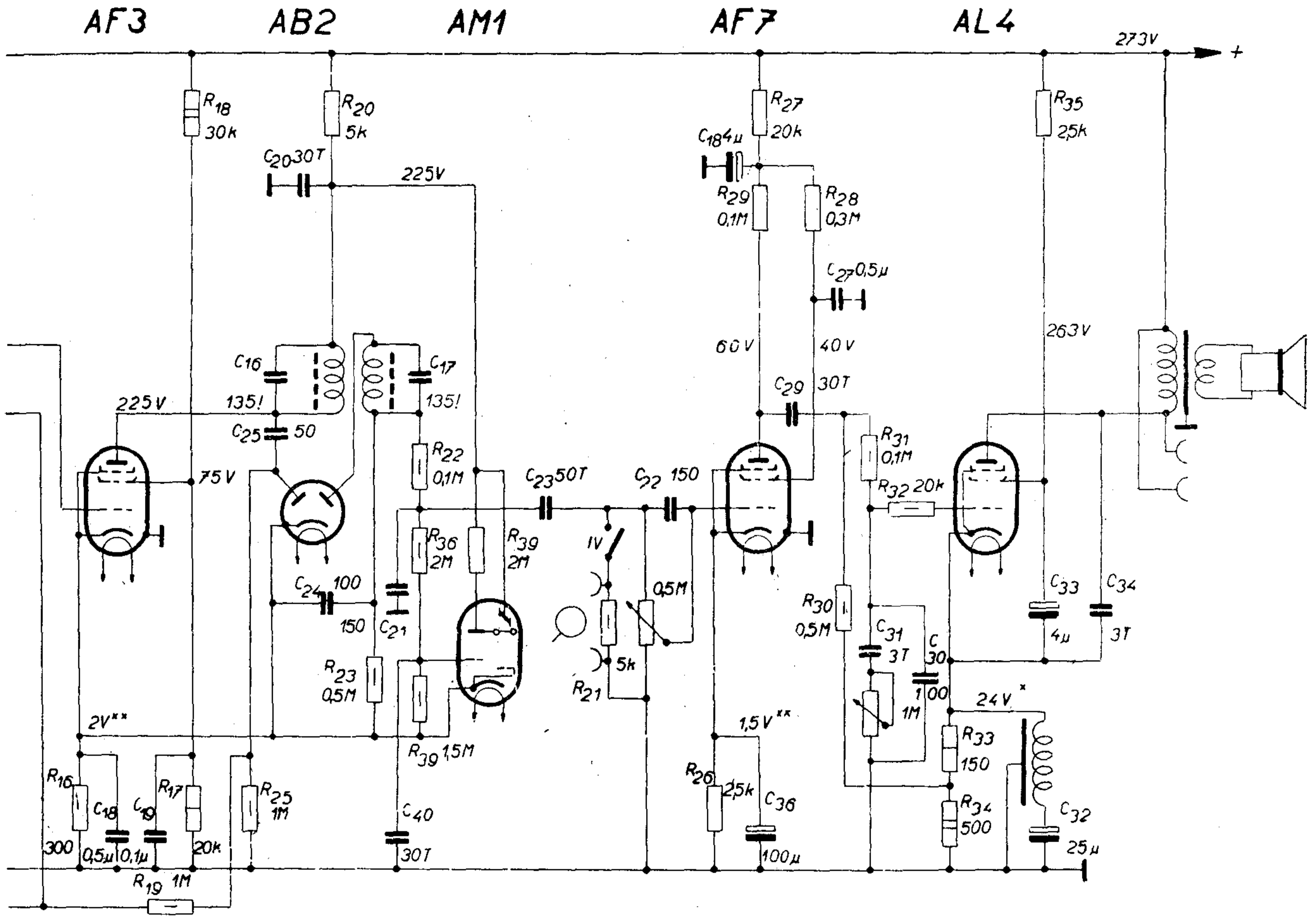


AF3

AK2



AZ1



	I	II	III	IV	1	2	3	4	5	6	7	8	9	10	11	12	13	14	15	16	17
13-53m		●			●			●	●						●		●				
200-600m			●				●	●				●		●				●	●		
750-2000m	●				●								●					●		●	
○				●	●				●						●						

R_{VOLTM} : 500Ω/V (250 000Ω, * 25000Ω, ** 2500Ω)

TELEGRAFIA TRIUMF 150

1936/37 MF=470 kHz