

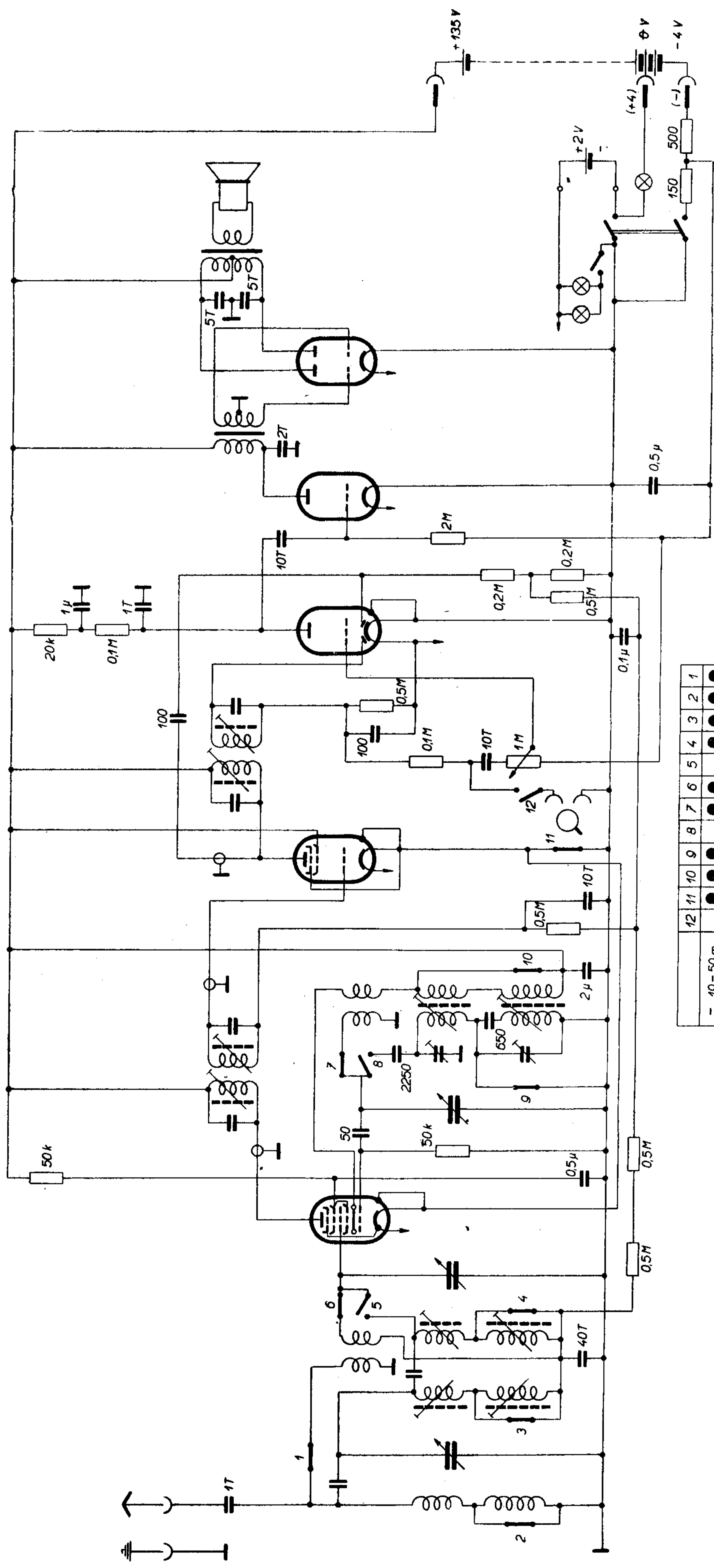
KK2

KF3

KBC1

KC3

KDD1



	12	11	10	9	8	7	6	5	4	3	2	1
- 19-50 m	●	●	●	●	●	●	●	●	●	●	●	●
200-600 m	●	●	●	●	●	●	●	●	●	●	●	●
750-2000 m	●	●	●	●	●	●	●	●	●	●	●	●
Ω	●	●	●	●	●	●	●	●	●	●	●	●

PALABA DUKE

1937/38 MF=125 kHz