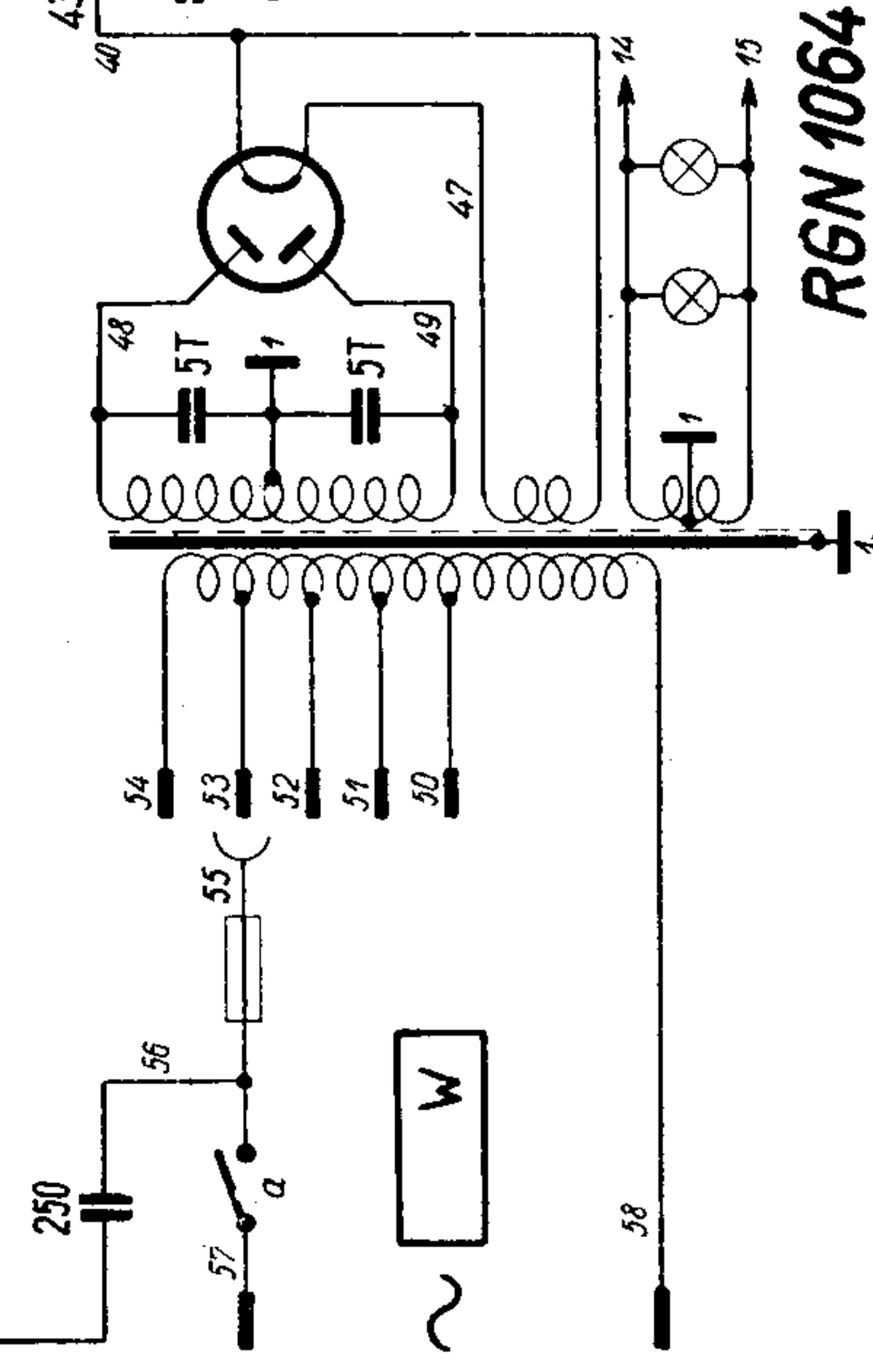
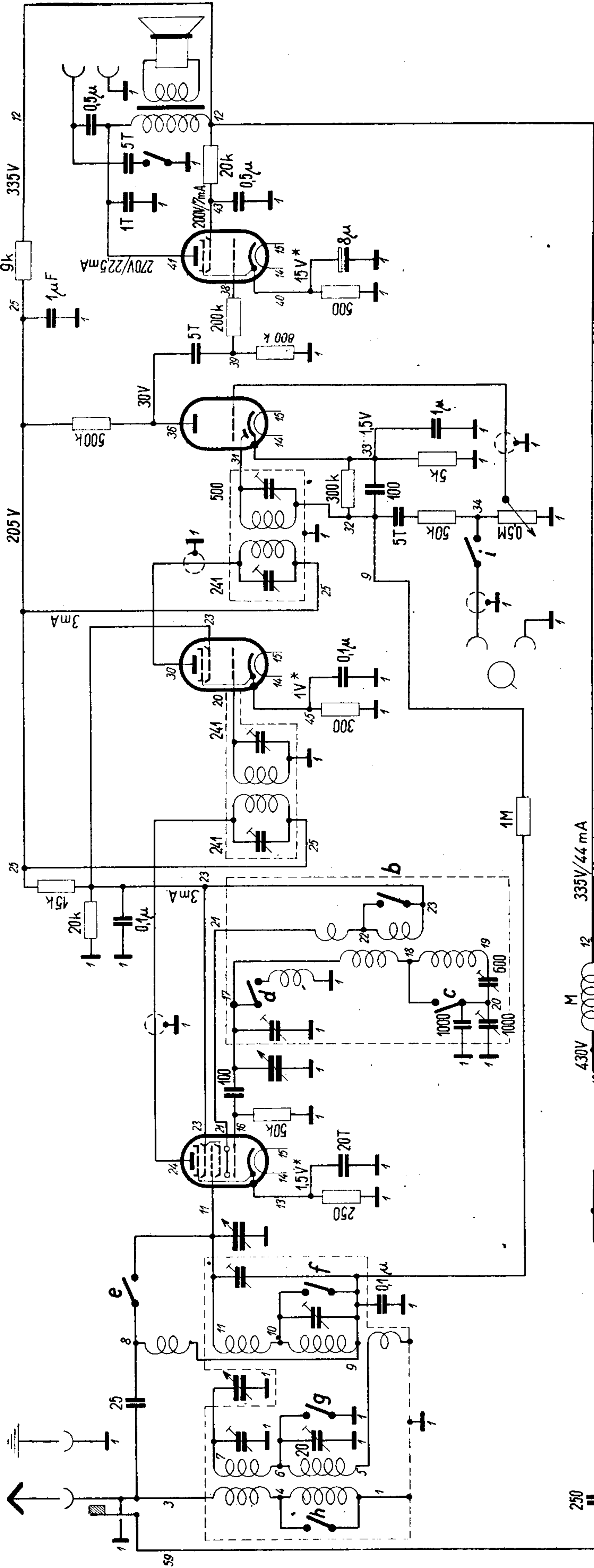


AK 1

RENS 1294

REN 924

RENS 1374 d



RGN 1064

	a	b	c	d	e	f	g	h	i
θ:									
19 - 51m			●	●	●	●	●	●	●
150 - 400m			●	●	●	●	●	●	●
510 - 4500m			●	●	●	●	●	●	●
⊙			●	●	●	●	●	●	●

TELEFUNKEN SUPER KONCERT

1934/35

MF = 132 kHz